



**Advanced Card Systems Ltd.**  
Card & Reader Technologies

# ACR1252U

## NFC Forum Certified Reader



Technical Specifications V1.06



## Table of Contents

1.0.	Introduction .....	3
2.0.	Features .....	4
3.0.	Typical Applications .....	5
4.0.	Technical Specifications .....	6



## 1.0. Introduction



The ACR1252U is a PC-linked NFC Reader that is NFC Forum–certified.

The ACR1252U runs on the 13.56 MHz contactless technology and supports ISO 14443 Type A and B cards, MIFARE®, FeliCa, ISO 18092-compliant NFC tags, and other NFC devices. It has an ISO 7816-compliant Class A SAM (Secure Access Module) slot that can be used together with a SAM card for key diversification and mutual authentication, providing high level of security in contactless transactions. Post-deployment firmware upgrade is also supported, eliminating the need for additional hardware modification.

The ACR1252U can use all three modes of NFC: Card Reader/Writer, Card Emulation and Peer-to-Peer Communication. These features make the ACR1252U ideal for NFC applications like Smart Posters for advertising and marketing with most NFC-enabled mobile phones and SIM cards in the market.



## 2.0. Features

- USB Full Speed Interface
- CCID-compliant
- Smart Card Reader:
  - Contactless Interface:
    - Read/Write speed of up to 424 Kbps
    - Built-in antenna for contactless tag access, with card reading distance of up to 50 mm (depending on tag type)
    - Supports ISO 14443 Part 4 Type A and B cards, MIFARE Classic®, FeliCa, and all four types of NFC (ISO/IEC 18092 tags)
    - Built-in anti-collision feature (only one tag is accessed at any time)
    - Supports extended APDU (max. 64 KB)
    - NFC Support:
      - Card reader/writer mode
      - Peer-to-Peer mode
      - Card Emulation mode
  - SAM Interface:
    - One SAM Slot
    - Supports ISO 7816-compliant Class A SAM cards
- Built-in Peripherals:
  - User-controllable bi-color LED
  - User-controllable buzzer
- Application Programming Interface:
  - Supports PC/SC
  - Supports CT-API (through wrapper on top of PC/SC)
- USB Firmware Upgradeability
- Supports Android™ 3.1 and later<sup>1</sup>
- Compliant with the following standards:
  - EN 60950/IEC 60950
  - ISO 18092
  - ISO 14443
  - ISO 7816 Class A (SAM Slot)
  - NFC Forum Certification Mark
  - Felica Performance Certification
  - PC/SC
  - CCID
  - CE
  - FCC
  - RoHS
  - REACH
  - J-LIS (Japan)
  - VCCI (Japan)
  - MIC (Japan)
  - KC (Korea)
  - Microsoft® WHQL

---

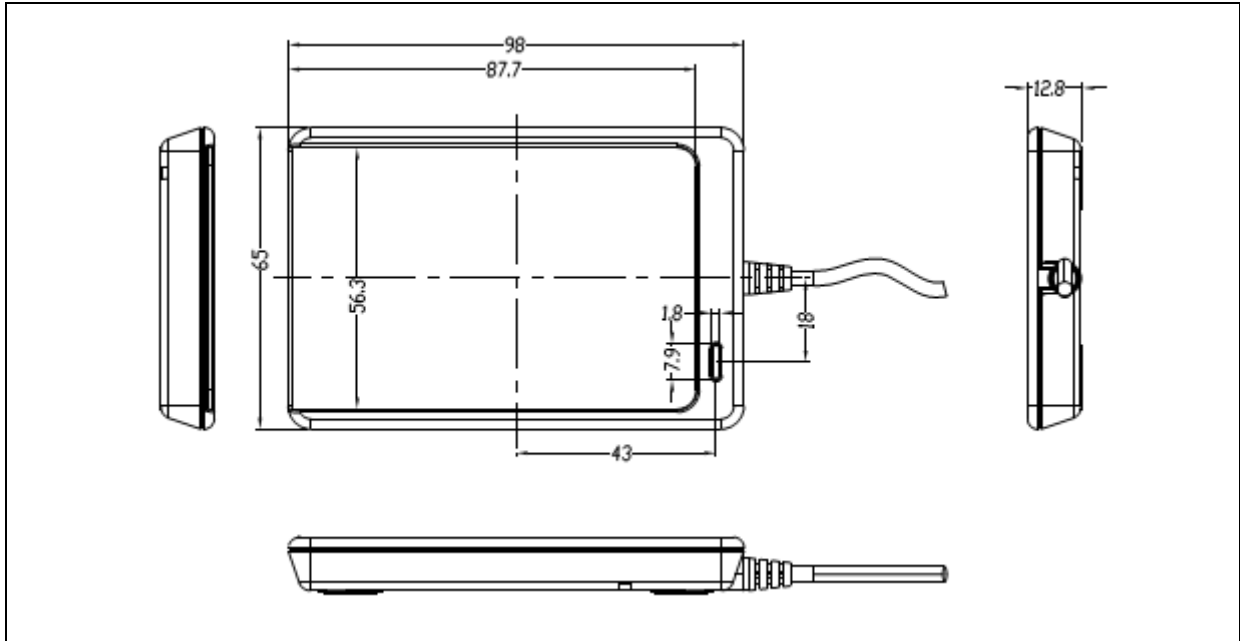
<sup>1</sup> Uses an ACS-defined Android Library



### **3.0. Typical Applications**

- e-Government
- e-Banking and e-Payment
- e-Healthcare
- Transportation
- Network Security
- Access Control
- Loyalty Program
- Smart Poster/URL Marketing
- P2P Communication

## 4.0. Technical Specifications



### Physical Characteristics

Dimensions ..... 98.0 mm (L) × 65.0 mm (W) × 12.8 mm (H)  
Weight..... 81 g  
Color ..... Matte Black

### USB Host Interface

Protocol..... USB CCID  
Connector Type..... Standard Type A  
Power Source..... From USB port  
Speed..... USB Full Speed (12 Mbps)  
Supply Voltage ..... 5 V  
Supply Current ..... Max. 200 mA  
Cable Length..... 1 m, Fixed

### Contactless Smart Card Interface

Standard ..... ISO/IEC 18092 NFC, ISO 14443 Type A & B, MIFARE, FeliCa  
Protocol..... ISO 14443 T=CL for ISO 14443-4-compliant cards  
..... T=CL Emulation for MIFARE Classic, ISO 18092, FeliCa and NFC tags  
Operating Frequency ..... 13.56 MHz  
Operating Distance ..... Up to 50 mm (depending on tag type)  
Smart Card Read/Write Speed..... 106 Kbps, 212 Kbps, 424 Kbps  
Antenna Size..... 50 mm × 40 mm

### SAM Card Interface

Number of Slot ..... 1 Standard SIM-sized Card Slot  
Standard ..... ISO 7816, Class A (5 V)  
Protocol..... T=0;T=1  
Smart Card Read/Write Speed..... 9.6 Kbps – 215 Kbps  
Card Connector Type..... SAM Slot 0: Contact

### Built-in Peripherals

LED ..... 1 bi-color: Red and Green  
Buzzer..... Monotone

### Other Feature

Firmware Upgrade ..... Supported

### Application Programming Interface

PC-linked mode..... PC/SC  
..... CT-API (through wrapper on top of PC/SC)

### Operating Conditions

Temperature ..... 0 °C – 60 °C  
Humidity ..... Max. 90% (non-condensing)  
MTBF ..... 500,000 hrs



**Certifications/Compliance**

EN 60950/IEC 60950, ISO 18092, ISO 14443, ISO 7816 (SAM Slot), USB Full Speed, NFC Forum Certification, Felica Performance Certification, PC/SC, CCID, CE, FCC, RoHS, REACH J-LIS (Japan), VCCI (Japan), MIC (Japan), KC (Korea), Microsoft® WHQL

**Device Driver Operating System Support**

Windows® CE 5.0, Windows® CE 6.0, Windows® Embedded Compact 7, Windows® XP, Windows® Vista™, Windows® 7, Windows® 8, Windows® 8.1, Windows® 10  
Windows® Server 2003, Windows® Server 2003 R2, Windows® Server 2008, Windows® Server 2008 R2, Windows® Server 2012, Windows® Server 2012 R2, Windows® 2016  
Linux®, Mac OS®, Solaris, Android™ 3.1 and later



Android is a trademark of Google LLC. The Android robot is reproduced or modified from work created and shared by Google and used according to terms described in the Creative Commons 3.0 Attribution License.  
Linux® is the registered trademark of Linus Torvalds in the U.S. and other countries.  
Mac OS is a trademark of Apple Inc., registered in the U.S. and other countries.  
Microsoft, Windows, and Windows Vista are registered trademarks of Microsoft Corporation in the United States and/or other countries.  
MIFARE and MIFARE Classic are registered trademarks of NXP B.V. and are used under license.  
The NFC Certification Mark is a trademark or registered trademark of NFC Forum, Inc. in the United States and in other countries.