

## Read Only Contactless Identification Device

### Description

The EM4102 (previously named H4102) is a CMOS integrated circuit for use in electronic Read Only RF Transponders. The circuit is powered by an external coil placed in an electromagnetic field, and gets its master clock from the same field via one of the coil terminals. By turning on and off the modulation current, the chip will send back the 64 bits of information contained in a factory programmed memory array.

The programming of the chip is performed by laser fusing of polysilicon links in order to store a unique code on each chip.

The EM4102 has several metal options which are used to define the code type and data rate. Data rates of 64, 32 and 16 periods of carrier frequency per data bit are available. Data can be coded as Manchester, Biphase or PSK.

Due to low power consumption of the logic core, no supply buffer capacitor is required. Only an external coil is needed to obtain the chip function. A parallel resonance capacitor of 78 pF is also integrated.

### Features

- 64 bit memory array laser programmable
- Several options of data rate and coding available
- On chip resonance capacitor
- On chip supply buffer capacitor
- On chip voltage limiter
- Full wave rectifier on chip
- Large modulation depth due to a low impedance modulation device
- Operating frequency 100 - 150 kHz
- Very small chip size convenient for implantation
- Very low power consumption

### Applications

- Animal implantable transponder
- Animal ear tag
- Industrial transponder

### Typical Operating Configuration

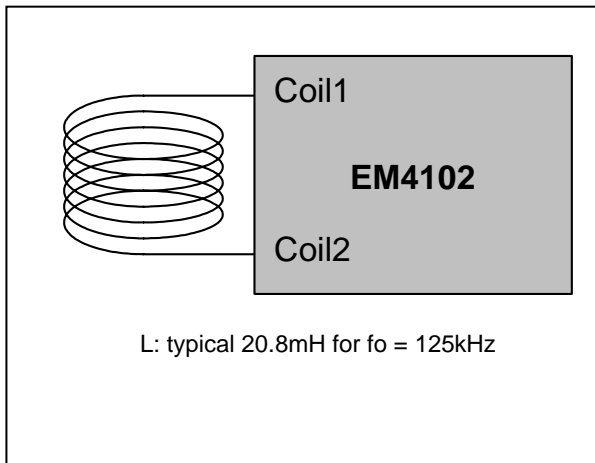


Fig. 1

### Pin Assignment

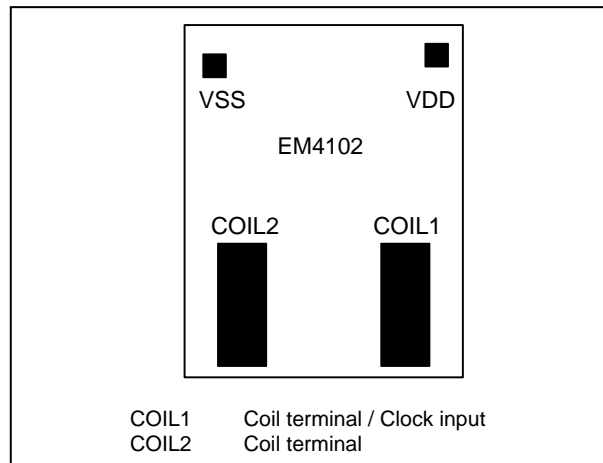


Fig. 2



# EM4102

## Absolute Maximum Ratings

Parameter	Symbol	Conditions
Maximum DC Current forced on COIL1 & COIL2	$I_{COIL}$	$\pm 30\text{mA}$
Power Supply	$V_{DD}$	-0.3 to 7.5V
Storage Temp. Die form	$T_{store}$	-55 to +200°C
Storage Temp. PCB form	$T_{store}$	-55 to +125°C
Electrostatic discharge maximum to MIL-STD-883C method 3015	$V_{ESD}$	2000V

Stresses above these listed maximum ratings may cause permanent damages to the device. Exposure beyond specified operating conditions may affect device reliability or cause malfunction.

## Handling Procedures

This device has built-in protection against high static voltages or electric fields; however, anti-static precautions must be taken as for any other CMOS component. Unless otherwise specified, proper operation can only occur when all terminal voltages are kept within the voltage range. Unused inputs must always be tied to a defined logic voltage level.

## Operating Conditions

Parameter	Symbol	Min	Typ	Max	Units
Operating Temp.	$T_{op}$	-40		+85	°C
Maximum Coil Current	$I_{COIL}$	-10		10	mA
AC Voltage on Coil	$V_{coil}$	3	14*		Vpp
Supply Frequency	$f_{coil}$	100		150	kHz

\*) The AC Voltage on Coil is limited by the on chip voltage limitation circuitry. This is according to the parameter  $I_{coil}$  in the absolute maximum ratings.

## System Principle

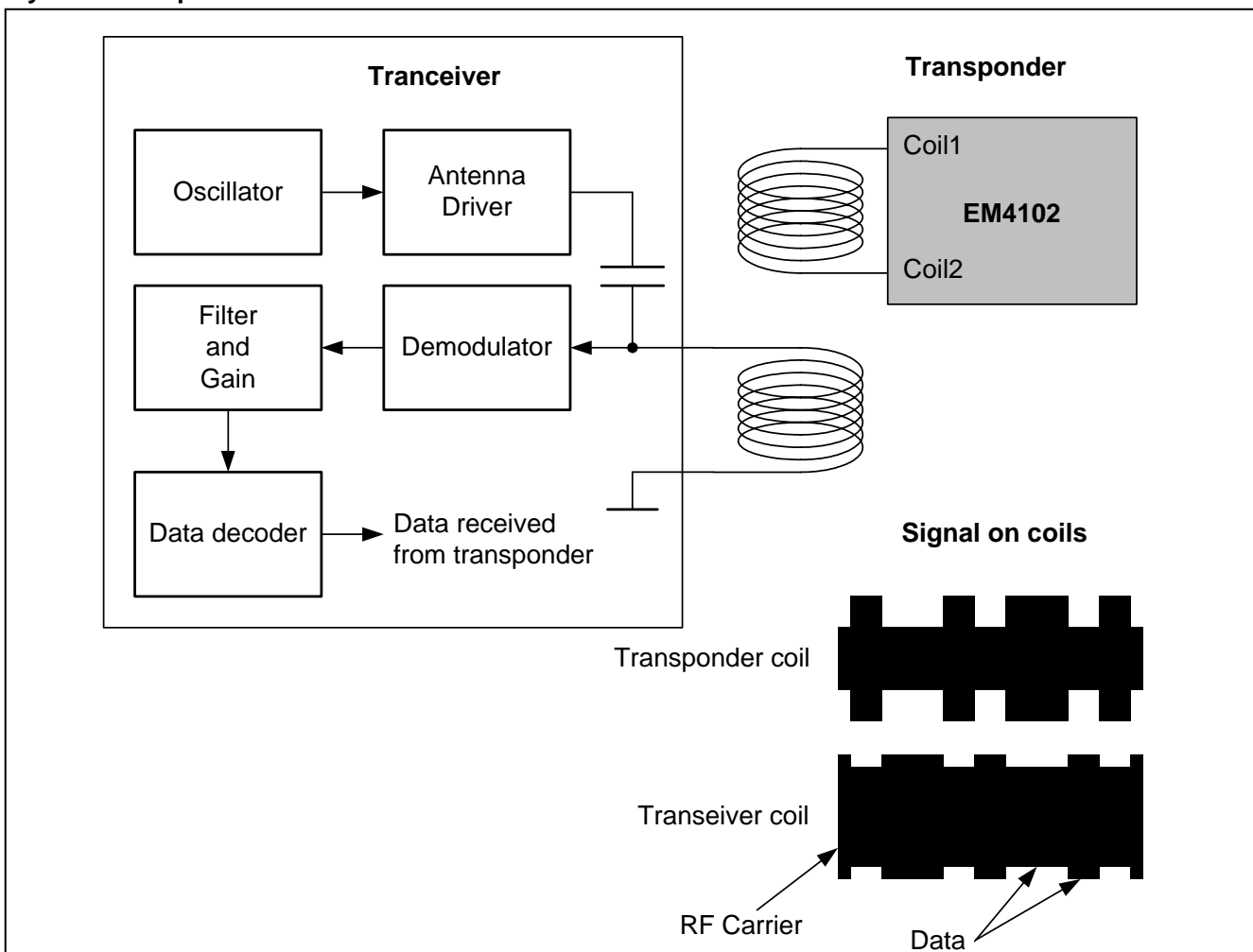
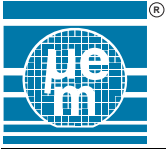


Fig. 3



# EM4102

## Electrical Characteristics

$V_{DD} = 1.5V$ ,  $V_{SS} = 0V$ ,  $f_{C1} = 134kHz$  square wave,  $T_a = 25^\circ C$

$V_{C1} = 1.0V$  with positive peak at  $V_{DD}$  and negative peak at  $V_{DD} - 1V$  unless otherwise specified

Parameter	Symbol	Test Conditions	Min.	Typ.	Max.	Units
Supply Voltage	$V_{DD}$		1.5		1)	V
Rectified Supply Voltage	$V_{DDREC}$	$V_{COIL1} - V_{COIL2} = 2.8 VDC$ Modulator switch = "ON"	1.5			V
Coil1 - Coil2 Capacitance	$C_{res}$	$V_{coil}=100mVRMS$ $f=10kHz$		78 2)		pF
Power Supply Capacitor	$C_{sup}$			125		pF
<b>Manchester and biphasic versions</b>						
Supply Current	$I_{DD}$			0.6	1.5	$\mu A$
C2 pad Modulator ON voltage drop	$V_{ONC2}$	$V_{DD}=5.0V$ $I_{VDDC2}=1mA$ with ref. to $V_{DD}$	150	220	280	mV
<b>PSK version</b>						
Supply Current	$I_{DDPSK}$			0.9	2.0	$\mu A$
C2 pad Modulator ON voltage drop	$V_{ONC2PSK}$	$V_{DD}=5.0V$ $I_{VDDC2}=100\mu A$ with ref. to $V_{DD}$	500	650	800	mV

Note 1) The maximum voltage is defined by forcing 10mA on COIL1 - COIL2

Note 2) The tolerance of the resonant capacitor is  $\pm 15\%$  over the whole production.  
On a wafer basis, the tolerance is  $\pm 2\%$

## Timing Characteristics

$V_{DD} = 1.5V$ ,  $V_{SS} = 0V$ ,  $f_{coil} = 134kHz$  square wave,  $T_a = 25^\circ C$

$V_{C1} = 1.0V$  with positive peak at  $V_{DD}$  and negative peak at  $V_{DD} - 1V$  unless otherwise specified

Timings are derived from the field frequency and are specified as a number of RF periods.

Parameter	Symbol	Test Conditions	Value	Units
Read Bit Period	$T_{rdB}$	depending on option	64, 32, 16	RF periods

## Timing Waveforms

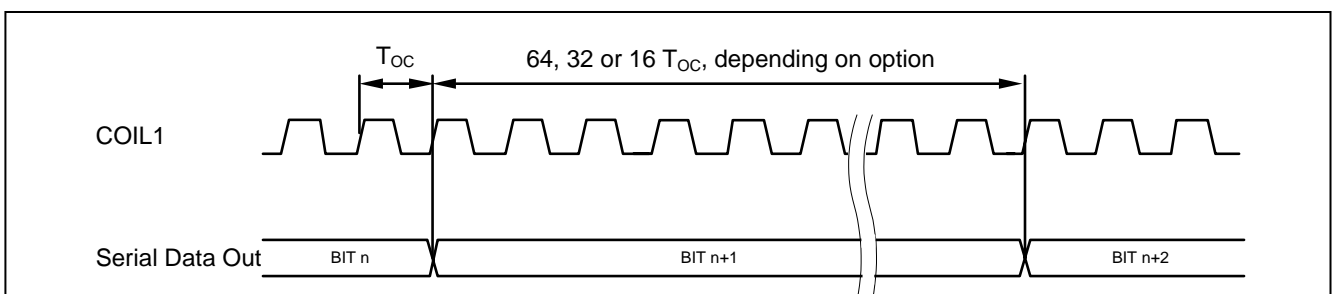


Fig. 4

## Block Diagram

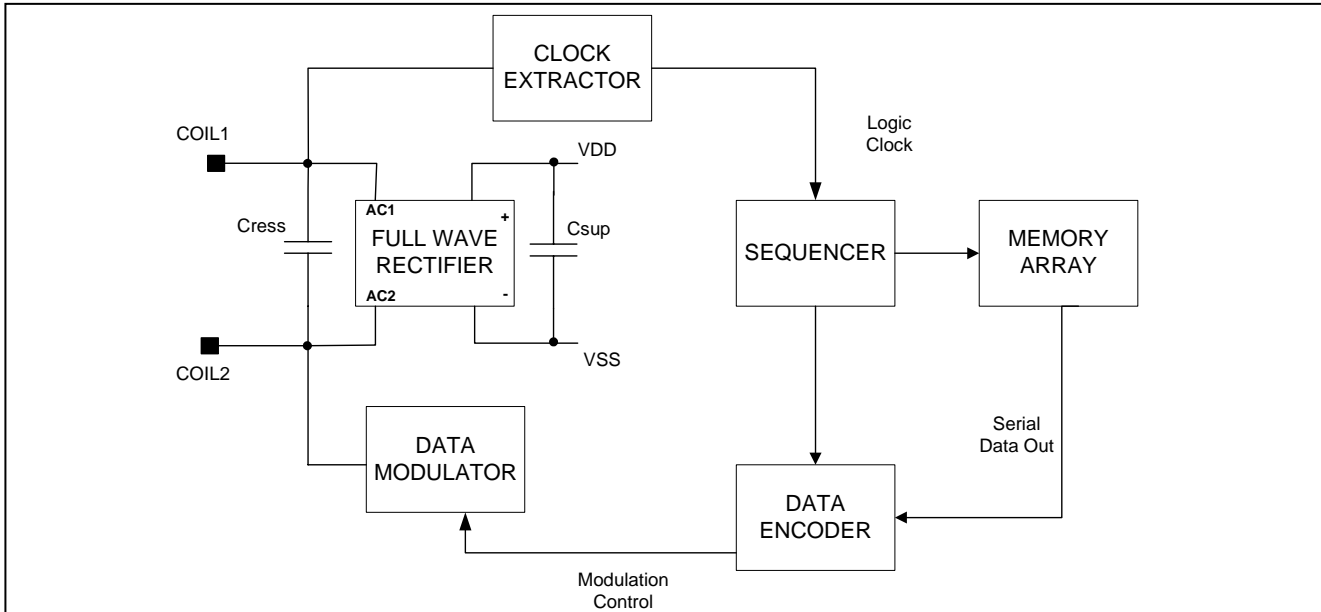


Fig. 5

## Functional Description

### General

The EM4102 is supplied by means of an electromagnetic field induced on the attached coil. The AC voltage is rectified in order to provide a DC internal supply voltage. When the last bit is sent, the chip will continue with the first bit until the power goes off.

### Full Wave Rectifier

The AC input induced in the external coil by an incident magnetic field is rectified by a Graetz bridge. The bridge will limit the internal DC voltage to avoid malfunction in strong fields.

### Clock Extractor

One of the coil terminals (COIL1) is used to generate the master clock for the logic function. The output of the clock extractor drives a sequencer.

### Sequencer

The sequencer provides all necessary signals to address the memory array and to encode the serial data out.

Three mask programmed encoding versions of logic are available. These three encoding types are Manchester, biphase and PSK. The bit rate for the first and the second type can be 64 or 32 periods of the field frequency. For the PSK version, the bit rate is 16.

The sequencer receives its clock from the COIL1 clock extractor and generates every internal signal controlling the memory and the data encoder logic.

### Data Modulator

The data modulator is controlled by the signal Modulation Control in order to induce a high current in the coil. The coil 2 transistor drives this high current. This will affect the magnetic field according to the data stored in the memory array.

## Memory Array for Manchester & Bi-Phase encoding ICs

The EM4102 contains 64 bits divided in five groups of information. 9 bits are used for the header, 10 row parity bits (P0-P9), 4 column parity bits (PC0-PC3), 40 data bits (D00-D93), and 1 stop bit set to logic 0.

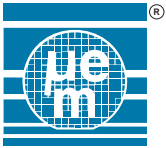
1	1	1	1	1	1	1	1	1	1	9 header bits
8 version bits or customer ID		D00	D01	D02	D03	P0				
		D10	D11	D12	D13	P1				
32 data bits		D20	D21	D22	D23	P2				
		D30	D31	D32	D33	P3				
		D40	D41	D42	D43	P4				
		D50	D51	D52	D53	P5				
		D60	D61	D62	D63	P6				
		D70	D71	D72	D73	P7				
		D80	D81	D82	D83	P8				
		D90	D91	D92	D93	P9				
		PC0	PC1	PC2	PC3	S0	10 line parity bits			

4 column parity bits

The header is composed of the 9 first bits which are all programmed to "1". Due to the data and parity organisation, this sequence cannot be reproduced in the data string. The header is followed by 10 groups of 4 data bits allowing 100 billion combinations and 1 even row parity bit. Then, the last group consists of 4 event column parity bits without row parity bit. S0 is a stop bit which is written to "0"

Bits D00 to D03 and bits D10 to D13 are customer specific identification.

These 64 bits are outputted serially in order to control the modulator. When the 64 bits data string is outputted, the output sequence is repeated continuously until power goes off.



### Memory Array for PSK encoding ICs

The PSK coded IC's are programmed with odd parity for P0 and P1 and always with a logic zero. The parity bits from P2 to P9 are even. The column parity PC0 to PC3 are calculated including the version bits and are even parity bits.

### Code Description

#### Manchester

There is always a transition from ON to OFF or from OFF to ON in the middle of bit period. At the transition from logic bit "1" to logic bit "0" or logic bit "0" to logic bit "1" the phase change. Value high of data stream presented below modulator switch OFF, low represents switch ON (see Fig. 6).

### Biphase Code

At the beginning of each bit, a transition will occur. A logic bit "1" will keep its state for the whole bit duration and a logic bit "0" will show a transition in the middle of the bit duration (see Fig. 7).

### PSK Code

Modulation switch goes ON and OFF alternately every period of carrier frequency. When a phase shift occurs, a logical "0" is read from the memory. If no shift phase occurs after a data rate cycle, a logical "1" is read (see Fig. 8).

### Manchester Code

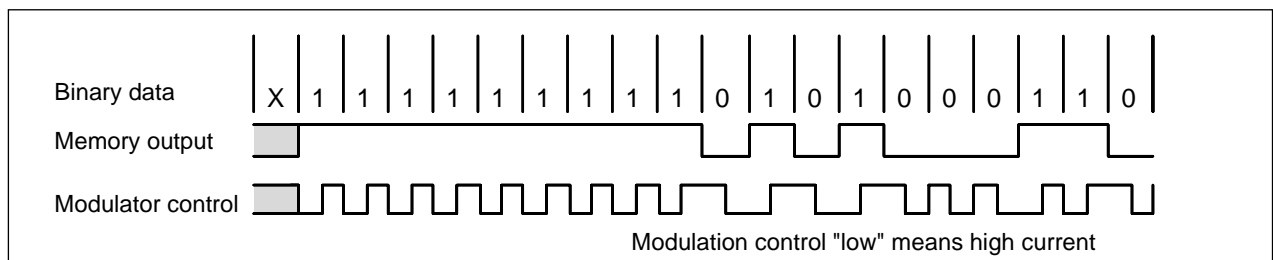


Fig. 6

### Biphase Code

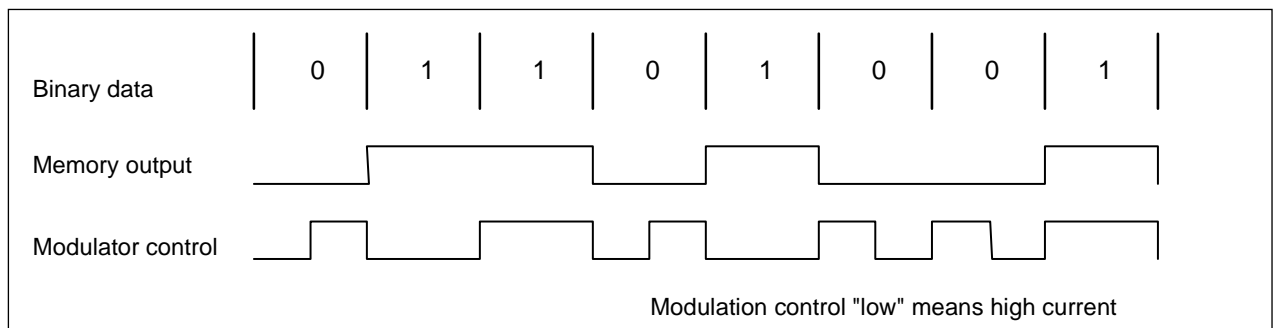


Fig. 7

### PSK Code

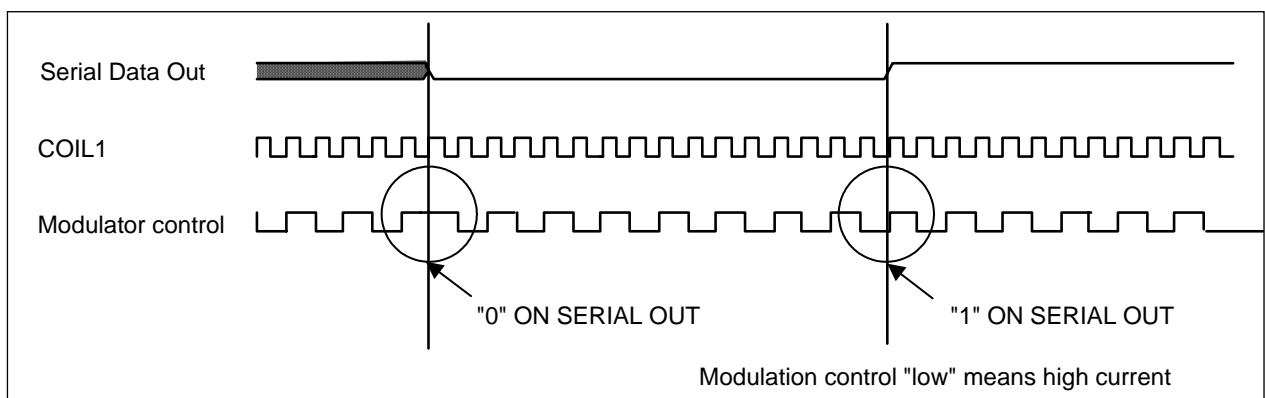
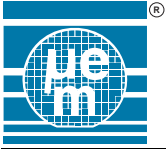


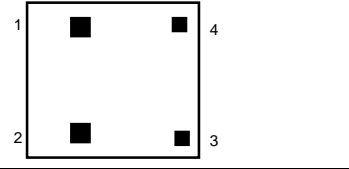
Fig. 8



# EM4102

## Pad Description

Pad	Name	Function
1	COIL2	Coil terminal 2 / data output
2	COIL1	Coil terminal 1 / clock input
3	VDD	Positive internal supply voltage
4	VSS	Negative internal supply voltage



## CHIP Dimensions

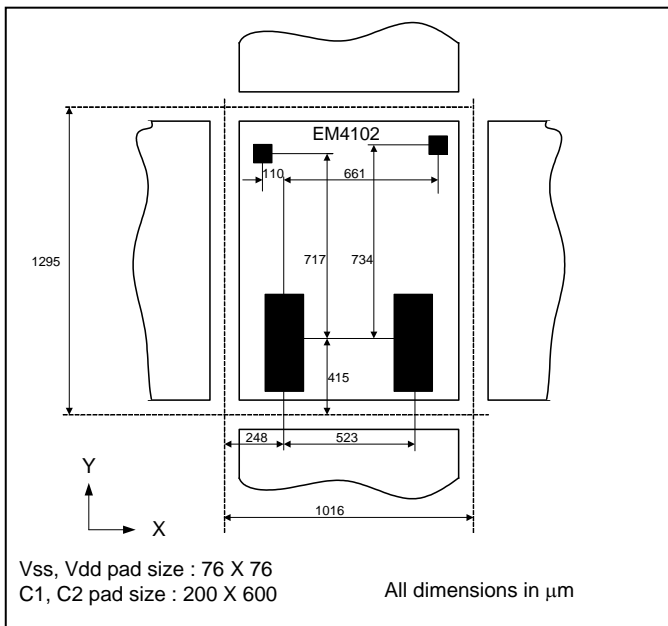
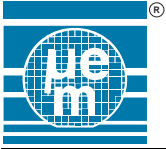


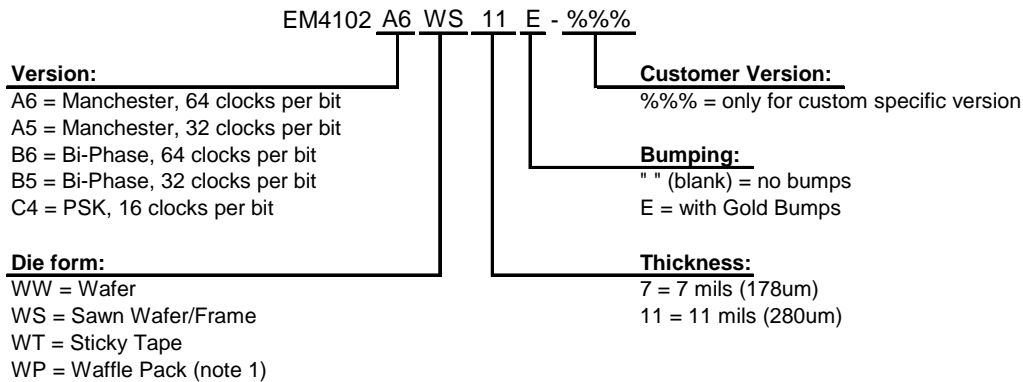
Fig. 9



# EM4102

## Ordering Information

### Die Form



This chart shows general offering; for detailed Part Number to order, please see the table "Standard Versions" below.

### Remarks:

- For ordering please use table of "Standard Version" table below.
- For specifications of Delivery Form, including gold bumps, tape and bulk, as well as possible other delivery form or packages, please contact EM Microelectronic-Marin S.A. Sales office.
- **Note 1:** This is a non-standard package. Please contact EM Microelectronic-Marin S.A Sales office for availability.

### Standard Versions:

The versions below are considered standards and should be readily available. For other versions or other delivery form, please contact EM Microelectronic-Marin S.A. Please make sure to give complete part number when ordering, without spacing.

Part Number	Bit coding	Cycle/bit	Card / Die Form	Delivery Form / bumping
EM4102A6WP11E	Manchester	64	Die in waffle pack, 11 mils	with gold bumps
EM4102A6WS11E	Manchester	64	Sawn wafer/Frame, 11 mils	with gold bumps
EM4102A6WT11E	Manchester	64	Die on sticky tape, 11 mils	with gold bumps
EM4102A6WW11E	Manchester	64	Unsawn wafer, 11 mils	with gold bumps
EM4102XYYY-%%%	custom	custom	custom	custom

### Product Support

Check our Web Site under Products/RF Identification section.  
 Questions can be sent to [info@emmicroelectronic.com](mailto:info@emmicroelectronic.com)

EM Microelectronic-Marin SA (EM) makes no warranty for the use of its products, other than those expressly contained in the Company's standard warranty which is detailed in EM's General Terms of Sale located on the Company's web site. EM assumes no responsibility for any errors which may appear in this document, reserves the right to change devices or specifications detailed herein at any time without notice, and does not make any commitment to update the information contained herein. No licenses to patents or other intellectual property of EM are granted in connection with the sale of EM products, expressly or by implications. EM's products are not authorized for use as components in life support devices or systems.

© EM Microelectronic-Marin SA, 02/05, Rev. F